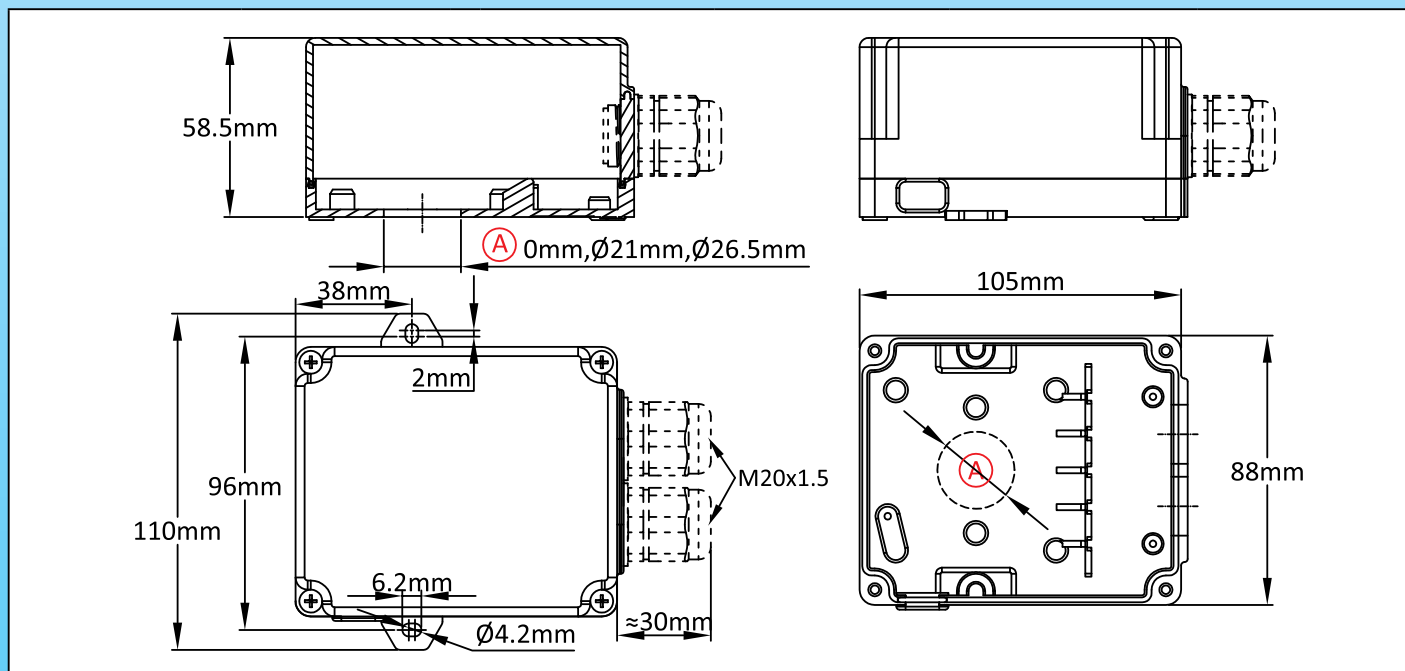


# Temperature sensor, thermostat or level sensor enclosure



Size(mm)	Volume(cm <sup>3</sup> )	Material	Protection grade		Model
105 x 88 x 58.5	550	PA66	IP69K	IK10	<b>Y3B1</b>

Suitable for
<input type="checkbox"/> Temperature sensor
<input checked="" type="checkbox"/> Immersion heater
<input type="checkbox"/> Finned heater
<input checked="" type="checkbox"/> Thermostat
<input type="checkbox"/> Level sensor
<input type="checkbox"/> Electronic board



## Main references

A (mm)	References
0	Y3B1000022C0000T
21	Y3B1210022C0000T
26.5	Y3B1265022C0000T

Cable gland not included in these reference, consult us if you want them.

Red dimensions inside rectangular frames on drawings are used for accessories assembly.

Because of permanent improvement of our products, drawings, descriptions, features used on these data sheets are for guidance only and can be modified without prior advice